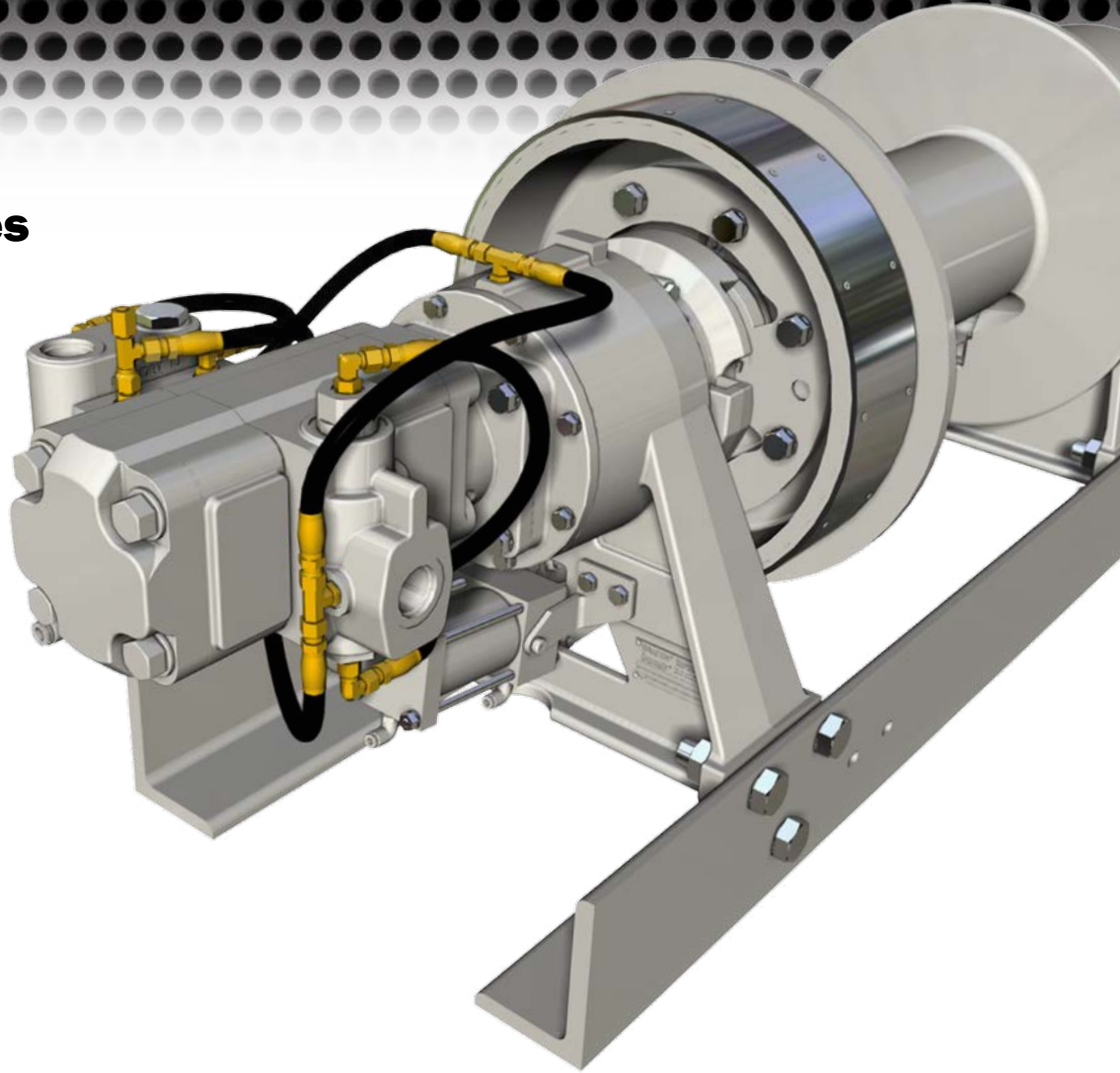


OILFIELD RECOVERY WINCHES

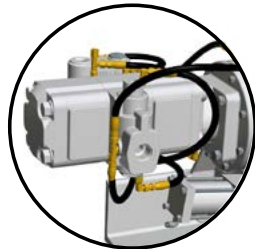
BRADEN®

Recovery Winches

BRADEN winches are ready for hard work and to take on the challenges of the oil field. Manufactured in Oklahoma by PACCAR Winch, these powerful recovery winches deliver best-in-class line-pull and robust performance in the toughest applications. Precise load control and ease of service make BRADEN oil field recovery winches the top choice for operators and fleet owners alike



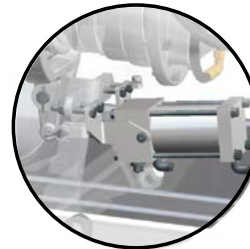
Drum Clutch Featuring Negative-draft Jaws
Negative-draft jaw clutch ensures full engagement under load



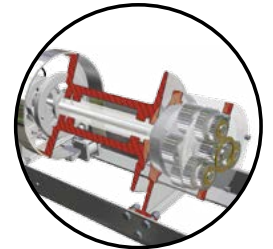
Two-speed Hydraulic Motor
Two-speed, high-performance gear motors maximize productivity with faster line payout and reel-in



Patented BRADEN Brake Valve
The industry standard, our brake valve works in conjunction with the overrunning clutch and spring-applied, hydraulically-released multi-disc brake for precise load control



Air-actuated Controls
Air shift actuators enable remote operation of band brake and drum clutch, and are standard features for most HP models



Multi-stage Planetary Gearbox
Sealed, high-efficiency planetary reduction gearing provides continuous duty performance for long pulls